

# DMS-NEWS

The "Dreaded Mod Sheet" Newsletter!

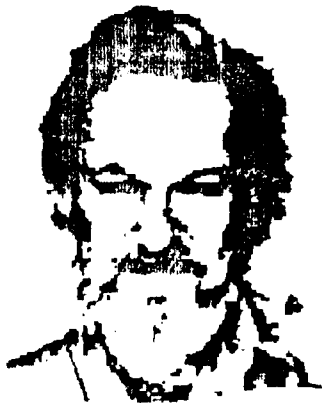
DE

K6AYB

8961 Magnolia Ave. Santee, CA 92071-3129



## "THE SULTAN OF SANTEE"



### HAPPY ST. PAT'S DAY!

According to legend, St. Patrick drove the snakes out of Ireland. Now if there were only a saint to drive the anti-scanner lobbyists out of Washington!

It is possible for us to make a difference by writing to and phoning congress, but think how much better we might be heard if we were a unified voice! I am not an activist, in fact I'm surprised at myself at this point for going this far, but I feel this goes far beyond the personal use of a scanner, and into fundamental freedom. If any part of the airwaves can be restricted, especially for an industry to create the false illusion of privacy to further that business's interest, then where is the limit to protect communication of all kinds? I respect the idea of a "reasonable expectation of privacy" (ECPA '86) But I feel it is up to the source of the communication to provide it, rather than a wholesale restriction of the electronic spectrum for the benefit

of a few. With the sophistication of electronic encryption methods today, I believe it is up to the manufacturer of a communication device to build the privacy in at the source; E.G cell-phones, and let the buyer pay the price, rather than trying to eliminate another industry's options!

I have no argument concerning the invasion of another's privacy, or the need to have secret communications for any number of reasons, but let it be at their expense, not mine! This newsletter is a tiny thing now, but perhaps if we continue to expand it, it could at least be a part of a much needed voice... I hope you'll spread the word as far as you can to build membership. To help with the input for learning, fun, and hopefully, a voice... Thanks, Jerry P.

=====

As you'll see by the centerfold, this issue is largely dedicated to Roy Clautier, who like many others has opened his files for the benefit of us all, only more so. I owe thanks to many of you for contributions of material to be used in our newsletter, and I assure you they are never wasted. Until we do an expansion, balancing the DMS-NEWS requires an art I'm still learning, so if you contribute text and don't see it right away, let me assure you it is never overlooked...

The "DREADED MOD SHEET" wants to start a manual/schematic pool to share with those in need of data. Please when you can, make a copy of yours and send it to the Santee Scanner. ANY manuals are requested.

## AUSTIN CONDOR ANTENNA

My first impression of the Condor was nice, it is packed in a clear plastic tube with a red cap on each end. A spec. sheet was rolled up in the tube with the antenna. I put it on my trusty old BC200xlt, and went right to work. First the wireless phones, the spec. sheet did not include that band, so I knew I had to test this thing out. It went fine I could hear my neighbors talking not unusual. Now the next thing I needed to do was go to the air AM band. I punched in the local tower, what a surprise I heard the controller full quieting and the aircraft came in almost as good. As for the rubber ducky, it was always short on the air AM band. Now we will have to get to the meat of this thing! I went to the forbidden cellular frequencies! Yes I know I heard something but I had to leave before big brother would catch me. So I was left to hear the data cellular frequencies, and they came it very well! So far the Condor works as good as my 24" universal full-length whip antenna I bought from Grove. It was time to listen to the local Police in the UHF band (460.450). The Condor proved to really improve the signal, full quieting and clear. I even tried a Police dept. about 20 miles away, and this frequency was heard with a little background heterodyne, it did not interfere with the copy. With the full-length whip antenna I could almost make out the signal. Now it was time to go to the local fire dept. (154.130). I was impressed with the performance. In this frequency the Condor makes a difference on my hand held scanner. When compared to the rubber ducky the Condor came though with flying colors. I knew it was time to listen to

the local McDonald's order window (35.020). The Condor did about the same as the rubber ducky did on the hand held scanner. The 24" universal full length whip antenna worked better for this frequency. I will say though the Condor would still pull in the local McDonald's order window (35.020). The low frequencies were not as good as I would of hoped for, but the Condor could still be used. I tried the State Police (42.660) this proved the same as the local McDonald's order window (35.020). I will give the CONDOR a 7. 10 being my discone antenna and 5 to my 24" universal full-length whip antenna I bought from Grove. Last I gave a 4 to the rubber ducky that came with the BC200xlt.

Roy J. Cloutier 01/22/93

## THE AUSTIN ANTENNA

ANTENNA NAME:

CONDOR Three band

PORTABLE Flexible antenna

ANTENNA TYPE: Three Band

portable Flexible, BNC Connector

DESCRIPTION: A three band flexible antenna for portable Scanners.

Operates as a quarter wave on 150, 450 and 400 MHZ. Black gloss finish, with BNC connector

FREQUENCY RANGE: 150-174,

450-512, 806-896 MHZ.

POWER RATING WATTS: 5

GAIN Db.: 0 Db (Quarter wave)

CONNECTOR TYPE: BNC

SIZE INCHES: 13" high, (Flex)

WEIGHT LBS: (NET)

(SHIPPING) 11 lbs.

SHIPPING INFO: UPS

LIST PRICE: \$29.95 +

SHIPPING DISTRIBUTOR:

Grove Enterprises (800) 438 8155

ROYCLOUTIER

## "THE ELECTRIC FINGER"

Some weeks ago, someone asked me if I had a 'mod to push the buttons on his scanner. Turned out that while his scanner was in one part of his house, he was in another with a slave speaker, and when his scanner locked on a dead carrier, he had to go and "click scan" to get it on line again. The best solution that came out of the string was an extremely inventive solution having to do with taking the antenna that comes with the set and taping it rigid and using that for a remote. Additional suggestions, equally creative were made..

Actually it is a problem sometimes when you're doing something else and have to interrupt to put the scanner back in use, as well as getting "those looks" from the better half. Hopefully , here's an idea to save steps. (or in my case, to save having to lean forward in my chair! (GASP!))

Seriously, here's an easy-to build solution, only costing a few bucks, that will allow you to operate the scan button (e. others) from about 50 feet away!

The secret lies in the keyboard matrix and the way it switches. A look at the schematic on my venerable PRO 2006 , (which has so many mods in it now that I have to kneel on the cover, to get it closed , tells me that the scan function is enabled by the combination of pins 7 and 10 at connector CN 501. On the '06, this is the "empty" 13 pin connector in the upper left hand corner , behind the keyboard if you are looking from the back of the scanner towards the front. All you need to do here is take a wire from each of these points to where you can lead it out of the back of the

scanner to a jack, or whatever. (More about this later.) By the way, after trying a few ways to make pins and things, finally I chose to solder directly. It is really simpler for me and a lot more reliable. To make sure you've done things right, simply hit program / any number/ program. This, of course, locks the scanner on that channel. Short the new leads together and the scanner should go back into scan. Obviously, all we've done is to bring switch leads outside the scanner.

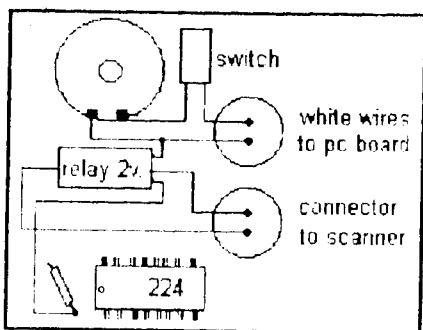
Now, the good part. Radio Shack makes a wireless remote door chime (68-871) that sells for \$19.95, which with very little work becomes an excellent remote control, without the need for an antenna 'er nothin'!

The transmitter does not need any work at all, only the receiver. In my version, because I'm cheap, I chose to make it "convertible", to allow either use as it was intended, or as an "electronic finger". Pull the two screws in the back, and open the case. Inside , you'll find a circuit board, and the piezo sounder. The circuit board will flip out of the way for a moment while you add a miniature s.p.SPDT switch to disable the chime. (see drawing) Use the right side lead of the chime to add the switch . To the left lead of the chime add a short length of hook-up wire. NOTE: The best hook up wire I've discovered came from a discarded multi line phone I bought in a thrift store for a couple of bucks. There were 24 pairs of the sweetest, most flexible, stranded wire I've found so far. It's far superior to any wire I ever bought from a supplier. With a six foot length, I figure I have about a five year supply of wire. Watch for it!

Now, on to the PC board.....

At first glance, the board might look crowded, but for the one connection that needs to be made there's plenty of room to work. In the approximate center of the board there is only one chip, and at the closest point to pin 1 there is a 100 K resistor. The "chip end" of this resistor is the tie point for another short ( 4/5 inches) of hook-up wire. These two leads provide sufficient one shot voltage to operate a 2v reed relay which does the actual switching .

The relay I'm using is from a local electronic surplus store (\$3.00) and measures about 3/4" long by 3/8" diameter. (If you can't locate the relay in your area, SASE me in the usual way, and I'll send you one) This relay fits perfectly in the location shown in the drawing...



Solder the new leads to the coil of the relay. Solder a couple of lengths of hook-up wire to the switch contact leads of the relay, and the job is nearly finished. This might be a good time to test the circuit, since all the elements are in place) Simply make a temporary connection of the leads from the scanner and the leads from the relay and push the button on the scanner. If the switching is right, you should hear the scanner "Beep" The way we

have the "finger" configured , If the added chime switch is off the scanner beeps.

Obviously there are a number of ways to connect the "finger" to the scanner. There is no worry about polarity so your method can be as simple or as elaborate as you desire. I'll tell you mine, just for reference. I "did the deed " with a pair of transmission line plugs, (RS 15-1198 bringing the leads out of the transmitter case , drilling a hole through one half of the "T" plug to bolt the plug to the side of the case. In this manner, should I choose to, I can simply unplug the scanner end, flip on the chime switch and I'm back to the Door Chime. On the scanner side you simply connect the other end of the leads from connector CN-501 to the mating half of whatever jack and plug combination you choose. Using the schematic, you can operate any switch on the keyboard with this gadget, by choosing the correct pins. I hope you enjoy my contribution to the furtherance of "couch potatoing"

Next month, look for a report on Ramsey Inc's Short wave Converter. If it works as I expect it to, It will be a nice alternative to buying an extra short wave receiver, and possibly a gateway to "scanner WeFax" JP

=====

### HELP US GROW!

Please help the DMS-NEWS to expand. The more members there are, the more data there is to share. No one can describe the DMS-NEWS as well as you can. Plug into your local BBS and tell 'em about it! Someday we will be a voice, but your help is needed now... Very special thanks to Charlotte Waters for this month's cover! She got me good!

## PROFILES

Each month, the DMS-NEWS profiles one or more of the subscribers. Let us know who you are, and become a "centerfold"! Please don't be modest, tell it like it is....Please, when you write your profile, identify it as such JP

### =====

#### ROY J. CLOUTIER

My name is Roy J. Cloutier, I am 42 years old and I am married to a wonderful woman named Patricia. We have two children named Jennifer and Jeremy. I have been working for the Chicago Park District for 6 years as an electrician. My job is to run the sound system for the Grant Park Music Shell in the summertime, and for Soldier Field for the Chicago Bears football games and various other games.

I have been involved in radio for over 20 years now. Sometimes my hobbies would involve the CB radio (as Charlie Brown in Chicago Town.) I have been known to do a lot of mods in my time with the CB, from peaking CB's to sliding up and down the frequencies for all that it was worth..

Then I found a new interest in TV. I tried TV repair. I found this to be a chore, and too much like work, if you know what I mean. So I became interested in police scanning. I first got involved in this scanner hobby when a friend showed me his father's little old black box which he called a police converter. Soon I was finding out all I could about this "police converting". I realized listening to police, after buying this little black box from the local radio shop. I was soon trying to copy CB and listen to police call at the same time. Then the day came, I saved up enough money and bought a crystal controlled police scanner, a 6 channel one. (oh-

boy, was I in for some explaining to my new wife) After all, the money was needed to buy food and diapers for the new baby that would be coming the following winter.

In 1970 I became an apprentice electrician in a can manufacturing plant here in Chicago and started to use my talent in electronics. After serving my 4 years apprenticeship I knew I just had to get involved in the radio hobby once again. I started hanging around with a few old ham operators and learned about the short wave hobby, but I was held back (money) by the fact that my wife and I wanted a home of our own for our new family. So I went back to CB, the poor man's ham radio.

By 1980 I was into modifying the CB rigs so all my close friends and I could have our own channels. Yes, I did some experimenting up the CB channels like 27.405 and higher. Then I could do some real skip. The roof of my new house looked like an antenna farm. Finally, my wife slowed me down. I was hooked and the money started to go into the radio hobby. Soon after, she woke me up to the fact that I had two children and a wife; yes, I still had a wife. After all I was expected to be a family man. So the CB days were over??? Well., sort of...

In 1985 I got involved in Cable TV that soon came to a halt, as I found I could get in trouble with some of the things I wanted to do! So I went and bought a new programmable Regency Scanner. I sold all my CB equipment (well, almost) to cover the cost. As I grew older, I found my interest finally went more towards the family. I enjoyed playing father to my two kids. Patricia and I found we were falling in love again. (must have had something

to do with all the radio waves I had absorbed over the years).

In 1987 I fell into a job with the park system in Chicago ; the Chicago Park District. Then things really began to change. I started to get involved with sound systems. Soon my hobbies turned to sound rather than radio. I was mixing sound for some Soldier Field activities, small football games; and then small concerts and special events. Soon I was working the Grant Park concerts, (the band shell) setting up the sound system, placing microphones and speakers in their right positions. After all, I had the background, so why not use it. Now remember, I still had the Regency Scanner. Soon I programmed it to all the frequencies for the park repair trucks park security, and the life guard service, also the boss's hand-held radio. Soon after, I was promoted to sound man at the Petrillo Music Shell .(the band shell) My scanner seemed too small for me, as I wanted to scan all the different services there were at the Chicago lakefront. Well yes I did it; I went to Radio Shack and got the best scanner they had, the new PRO-2004.

Well, there it was 1988 and things went pretty smoothly up to this point. My children were in high school and my wife was still in love with me. (remember all the radio waves) So I thought I needed a hand-held scanner. After returning all the various hand-held scanners I tried, I ended up with the BC-100 I brought this scanner with me everywhere I went, even to bed! That seemed to slow my sex life down a little so the hand-held scanner stayed in the desk drawer. (with the charger plug in, of course!

As life goes on, 1989 things started

to go good for me at the park. I started to work the Chicago Bear's games With all that communication equipment around I felt I needed a better scanner. So out I went , looking for the best of the best. I finally ended up with the BC-200 XLT. Oh yes, all the the mods went into that radio right away. So now I could hear the news media, the sportscasters the TV trucks and the football coacher, not to mention the security people and Police Dept...

Here it is now beginning 1993 and I am still looking for the best hand-held scanner Will it be the PRO-43, AR1500 XLT, or the new BC2400 XLT?

Well, as life goes on I will still be looking for the best scanner one could afford, watching my children grow into young adults and loving my wife. (remember her? What a good companion). But not in that order... God bless and goodbye for now.

*Roy J. Cloutier/ in Chicago Illinois*

=====

### JUST FOR FUN!

#### THE CLINTON CABINET

Transportation	Ted Kennedy
Housing	Leona Helmsley
Labor	Anita Hill
Defense	Rodney King
C.I.A.	Ross Perot
Health	Magic Johnson
F.B.I.	Hillary Clinton
N.A.S.A.	Jerry Brown
Veteran's Adm. .	Jane Fonda
Surgeon Gen..	Dr. Kevorkian
House Spkr.	Paul Tsongas
Drug Czar	Marion Barry
Family Advisor	Woody Allen
Press Secty.	Adm. Stockdale
Treasurer	Charles Keating

(This is from a source unknown to me, and deserves proper credit. ) JP.

## GENERAL MOBILE RADIO SERVICE (GMRS)

Here's something to add to your scanner data base. In 1986 the FCC changed the rules to make GMRS a radio service to be used by private individuals or families. Prior to that, the band was for business use, so there is a "grandfather rule" to allow those businesses that have not made any significant changes to continue to renew their licenses. Autopatches and digital transmission are prohibited on these frequencies. A licence costs \$30.00 for a 5 year period and is not "all channel" like CB. In my area, most of the copy is business oriented, but occasionally it gets VERY interesting

GMRS pairs:	GMRS simplex
467.550	467.550
462.575	462.575
462.600	462.600
462.625	462.625
462.650	462.650
462.675	462.675
462.700	462.700
462.725	462.725

### TRY THESE, BUSINESS BAND

These are from *Les Butler's* incredible collection, and were part of a racetrack group. I plugged 'em in and am hearing a lot of business comms of some interest.

30.840	457.600
33.140	464.500
33.400	464.550
35.020	467.750
35.040	467.775
42.980	467.800
151.625	467.825
154.570	467.850
154.600	467.875
457.550	467.900
457.575	467.925

## POWER LINES IN THE BEDROOM

*(From Computer Edge Magazine)*

Two recent studies conducted by Swedish scientists have validated the link between the risk of cancer and exposure to electromagnetic fields. (EMFs) EMFs are generated when an electrical current is passed through a wire; therefore they can be found in the average home wherever there is electrical equipment.

An Encinitas Ca. firm specializing in testing health risks associated with home and office environments, Environmental Testing and Technology found that electromagnetic fields emitted by appliances and wiring found in some bedrooms can be higher than sleeping under high tension power lines. These high fields can be produced by electric clocks and blankets, ware beds, lights, extension cords, plumbing currents, and unbalanced circuits.

Peter Sierck, founder of Environmental Testing and Technology, contends that since one-third of our life is spent in the bedroom, we should limit the harmful effects of long-term exposure to EMF. He recommends removal of EMF sources, as well as proper phasing, grounding, balancing, rewiring, and shielding of electrical circuits.

If you'd like more information about EMFs and how to reduce your risk, contact Environmental Testing and Technology, PO Box 230369, Encinitas CA, 92024... (619)-436-5990 (Computer Edge Magazine is a San Diego based publication primarily involved in up to date computer Technology... For more information, you might contact Dr. L J Fogel, PO Box 38086, San Diego CA. 92138)

## WELL, Mr. CITIZEN!

(This article was written by Troopers Brown and Mitchell of the Virginia State Police... Two months after the article was written, Trooper Mitchell was killed in an auto accident while enroute to at an accident at the coal mines in West Virginia. His patrol car was struck by a drunk driver. The article came to me via Michael Charter.)

Well, Mr. citizen, I guess you have me figured out. I seem to fit neatly into the category you place me in. I'm stereotyped, categorized, standardized, classified, grouped and always typical. I'm the "lousy cop." Unfortunately, the reverse isn't true. I can never figure you out. From birth you teach your children that I am a boogie-man,, and then you're shocked when they identify with my traditional enemy, the criminal. You accuse me of coddling juveniles until I catch your kid doing something . You take an hour for lunch, and several coffee breaks each day, but point me out as a loafer if you see me having just one cup. You pride yourself on your polished manners, but think nothing of interrupting my meals at noon with your troubles. You raise hell about the guy who cuts you off in traffic, but let me catch you doing the same thing and I'm picking on you. You know all the traffic laws but never got one ticket you deserved. You shout "foul" if you observe me driving fast to an emergency call, but literally raise hell if I take more than ten seconds responding to your call!!!

You call it "part of my job" if someone strikes me. But it's "police brutality" if I strike back. You wouldn't think of telling your dentist how to pull a badly decayed tooth, or your doctor how to

take out your appendix, but you are always willing to give me a few pointers on law enforcement. You talk to me in a manner and use language that would assure a bloody nose, but you expect me to stand there and take it without batting an eye. You cry, "Something has to be done about all the crime!" but you can't be bothered to get involved.

You've got no use for me at all, but of course it's OK if I change a tire for your wife, or deliver your baby in the back seat of my patrol car on the way to the hospital, or save your son's life with mouth-to-mouth resuscitation, or work many hours overtime to find your lost daughter. . .

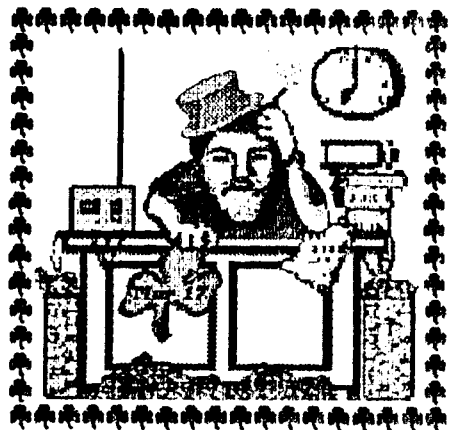
So Mr. Citizen, you stand there on your soapbox and rant and rave about the way I do my job, calling me every name in the book, but never stop a minute to think that your property, your family, or maybe your life might depend on one thing---Me, or one of my buddies.

"Yes, me, the lousy cop!"

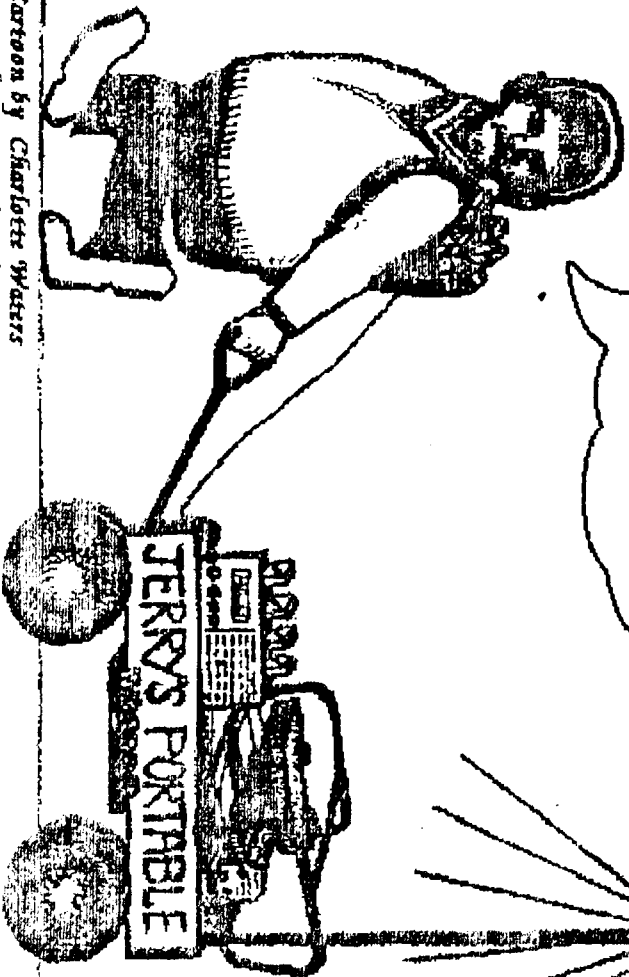
(Originally from Military Police Magazine 1982) *JP*

Jerry P's phone# (619) 258-1713

No collect, please



"I told you  
my '2006  
is portable!"



Cartoon by Charlotte Waters  
charter number 17